



Order no.: 433 231
EAN: 4013207433270

Product designation:

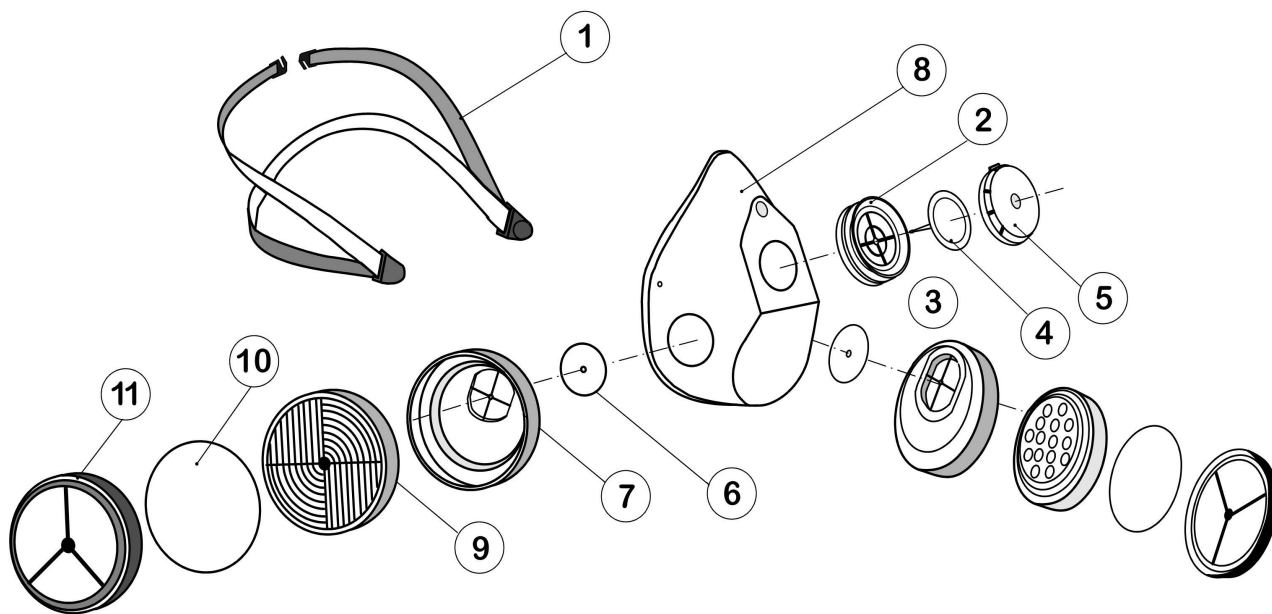
Half mask Polimask 100/2 (without filter)

Price/EUR

16,90



No.	Order no.	Article-Designation	Unit	Price/EUR
1	435 240	Head harness Polimask complete	Piece	10,30
2	437 250	Exhalation valve membrane type U compl. consisting of: 3 - 5	Piece	12,20
3	437 251	Exhalation valve seat type U	Piece	5,20
4	437 256	Exhalation valve membrane type U	Piece	5,60
5	437 257	Exhalation valve cap type U	Piece	2,80
6	427 545	Inhalation valve disk LS/35	Piece	3,70
7	421 530	Filter holder 200 complete	Piece	3,90
8	432 231	Facemask Polimask 120/2 (not as spare part available)		



Matching accessories:

9	422 39X	Filter series 200	Pack.	-----
10	222 133	Prefilter 2003/75	Pack./ 20 pcs.	12,80
11	424 556	Prefilter clip holder 200 P	Piece	3,80

EP 433231 English_01-01.26