



Order no.: 433 230  
AN: 4013207433409

**Product designation:**

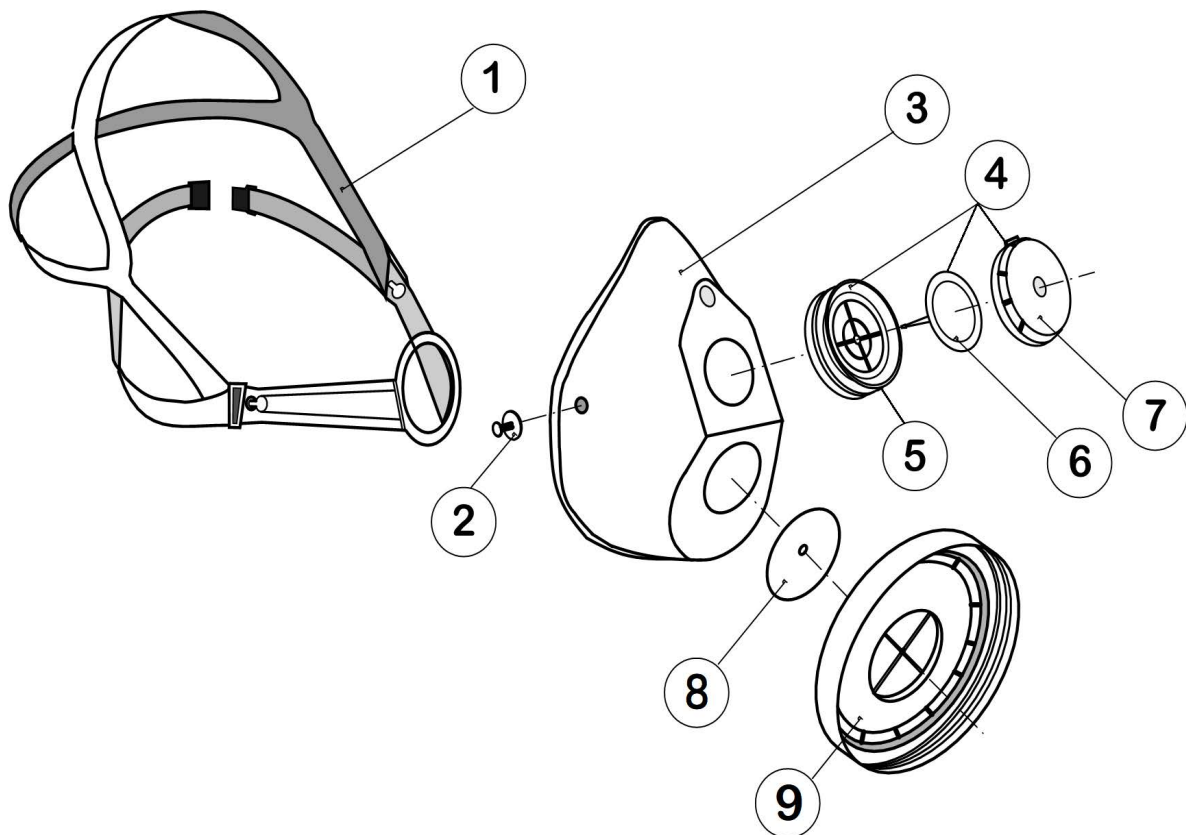
Half mask Polimask 230 (without filter)

**Price/EUR**

**19,90**



No.	Order no.	Article-Designation	Unit	Price/EUR
1	435 230	Head harness Polimask 230 compl.	Piece	13,90
2	435 258	Attachment pin 230/330/SFERA	Piece	1,40
3	432 131	Facemask Polimask 120	Piece	15,90
4	437 250	Exhalation valve membrane type U compl. consisting of: 5 - 7	Piece	12,20
5	437 251	Exhalation valve seat type U	Piece	5,20
6	437 256	Exhalation valve membrane type U	Piece	5,60
7	437 257	Exhalation valve cap type U	Piece	2,80
8	427 545	Inhalation valve disk LS/35	Piece	3,70
9	421 572	Filter connector 230/GAMMA	Piece	7,80



EP 433230 English\_01-01.26